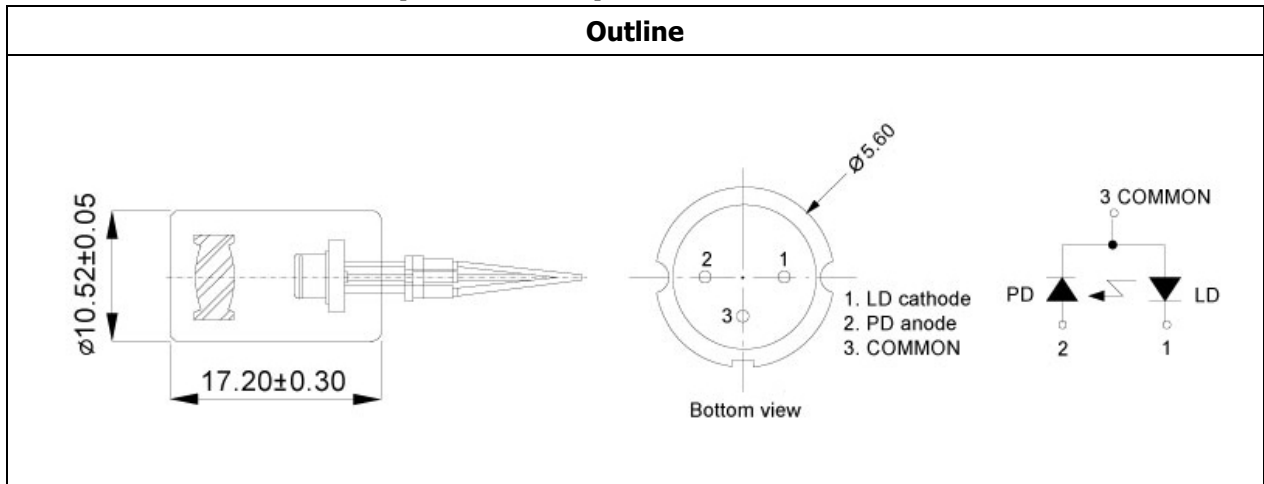


MODEL TYPE

VLM-635-00 / VLM-650-00

Industrial use Laser

OUTLINE DIMENSIONS (UNITS: mm)



1. This model integrated optic and laser diode into a solid brass construction, without driver circuit provides an adjustable focus function by request.
2. Users can adapt their own APC driver circuit for their professional applications
3. Can be modulated up to 500 KHz.
4. The efficiency of collimating lens is 60%, do not drive the laser over 3.0mW

SPECIFICATIONS		635-00	650-00
1	Operating voltage (Vop)	2.1~2.6V	
2	Operating current (Iop)	< 50 mA	< 35mA
3	Cw output power (Po)	$\leq 3mW$	
4	Wavelength at peak emission (λ_p)	630~645nm	645~665nm
5	Collimating lens	Aspherical plastic ($\varnothing 7$)	
6	Spot size at 5M	5±1 mm	
7	Divergence	1.0 mrad	
8	Operating temp. range	+10°C ~+40°C	
9	Storage temp. range	-20°C ~+65°C	
10	Housing	Brass	
11	Mean time to failure (MTTF) 2.5mW 25°C	5000hrs	10000hrs