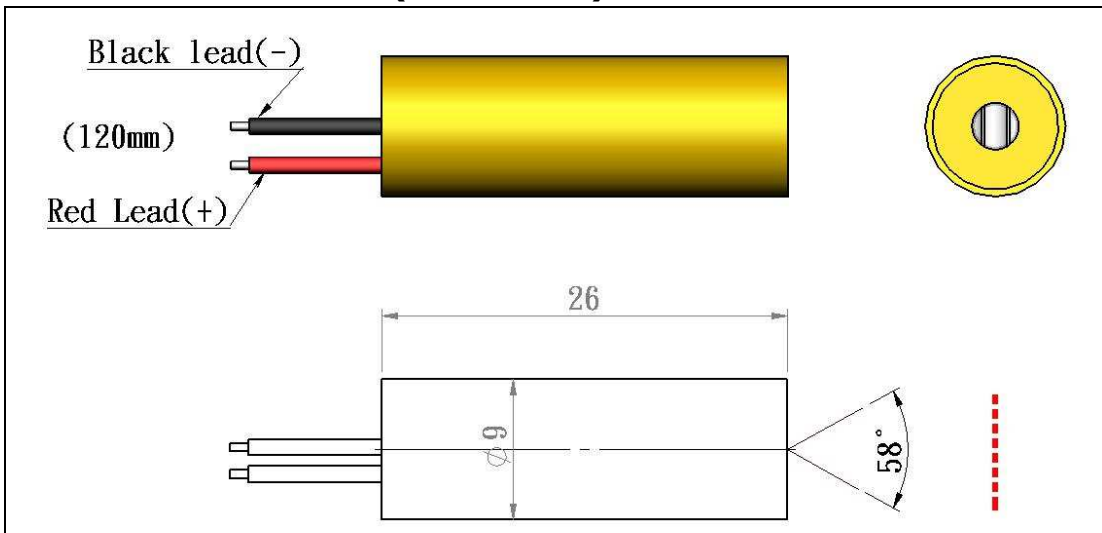


# MODEL TYPE

**VLM-650-28 LPT**

**Economic solution line Laser**

**OUTLINE DIMENSIONS (UNITS: mm)**



1.This model integrated collimating lens, laser diode and wave lens into a solid brass structure for the most economic and the best choice of laser line generator applications.

2. E.S.D. protection 15KV.

SPECIFICATIONS		650-28
1	Operating voltage (Vop)	3~5V
2	Operating current (Iop)	< 35mA
3	Cw output power (Po)	≤ 1mW
4	Wavelength at peak emission (λp)	645~665nm
5	Cylindric lens	plastic lens
6	Collimating lens	Aspherical plastic (ø5)
7	Laser line Width	3.5 ±1mm@5m
8	Laser line accuracy	80" (+/- 2mm @5m)
9	Emitting angle	> 60°
10	Operating temp. range	+15°C ~ +30°C (Room Temperature)
11	Storage temp. range	-20°C ~ +65°C
12	Housing	Brass
13	Mean time to failure (MTTF) 1.0mW 25°C	10000hrs