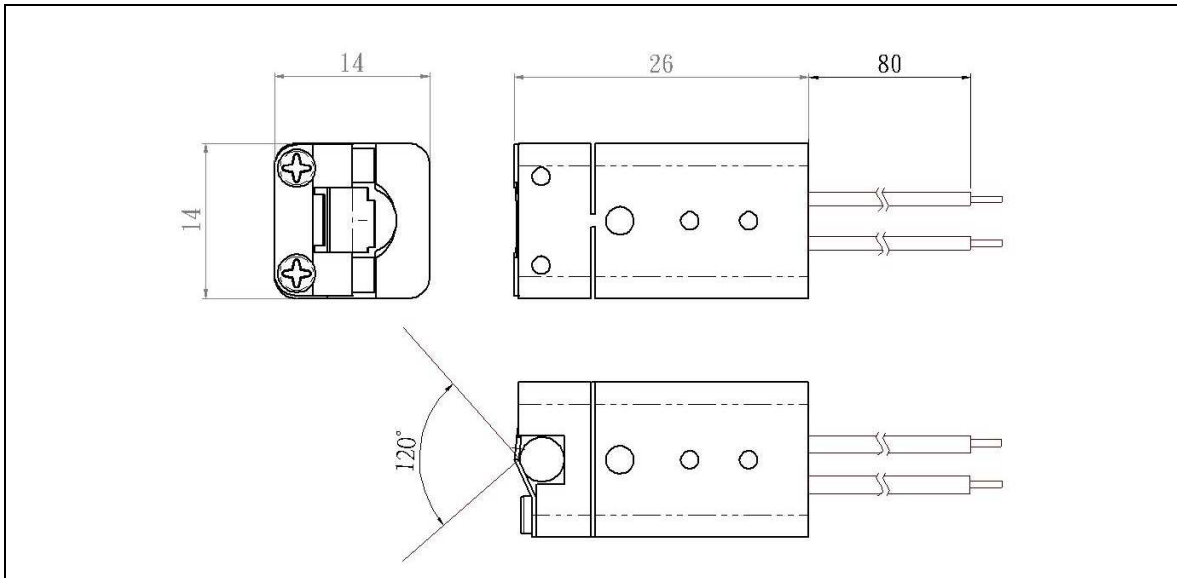


MODEL TYPE

VLM-635-37LPT

Professional use line Laser

OUTLINE DIMENSIONS (UNITS: mm)



1. This model integrated quartz rod lens, collimating lens, laser diode, and the APC driver circuit into a patented aluminum structure for better line quality and the best shock resistance and heat sink consideration.
2. Designed with adjustable line.
3. Versatile mechanical structure on 4 sides, easy to fix.
2. E.S.D. protection 15KV.

SPECIFICATIONS		635-37LPT
1	Operating voltage (Vop)	3.1~4.5V
2	Operating current (Iop)	< 50mA
3	Cw output power (Po)	< 1mW
4	Wavelength at peak emission (λ_p)	630~645nm
5	Cylindric lens	Quartz Cylindric lens($\phi 4$)
6	Collimating lens	Glass ($\phi 7$)
7	Laser line Width	2 \pm 1mm @5m, 4 \pm 1mm @10m
8	Laser line accuracy	20" (+/- 1mm @10m)
9	Emitting angle	> 120°
10	Operating temp. range	-20°C ~ +50°C
11	Storage temp. range	-40°C ~ +70°C
12	Housing	zinc
13	Mean time to failure (MTTF)1.0mW 25°C	5000hrs