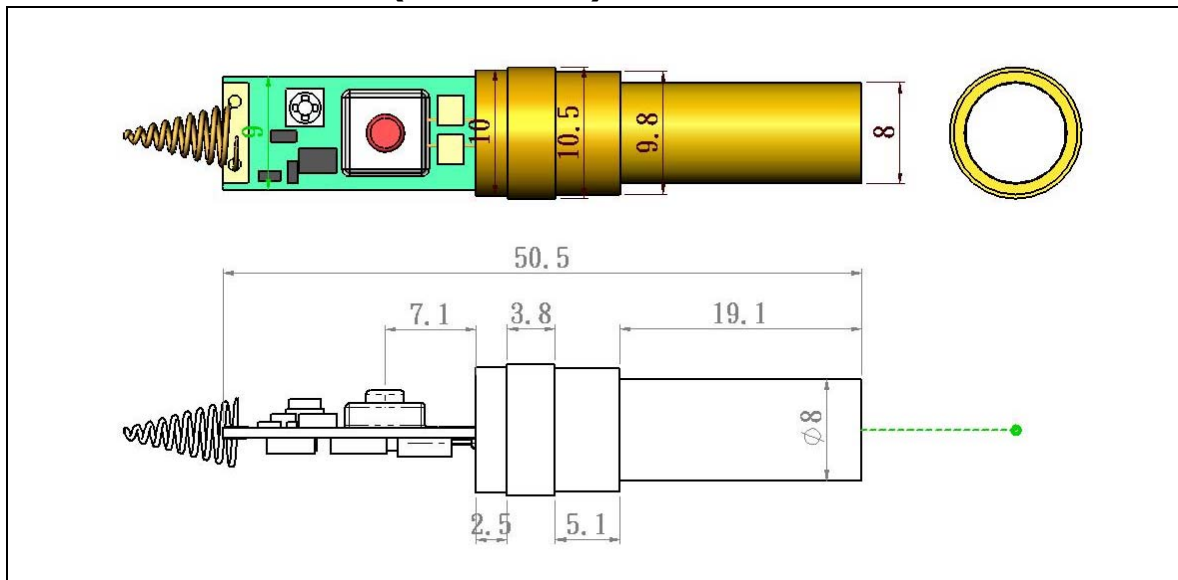


# MODEL TYPE

**VLM-532-42 SPT/ VLM-532-42 SPA  
VLM-532-42 LPT/ VLM-532-42 LPA**

**Economic green laser**

## OUTLINE DIMENSIONS (UNITS: mm)



1. Miniature highlight green laser module for pointer application.
2. Compact size for general application.
3. The brass housing for better heat dispersion.
4. Multiple glass lenses included for high quality laser focus.
5. High laser output power stability driver included with APC driver.

SPECIFICATIONS		532-42-SPT 532-42 LPT	532-42-SPA 532-42 LPA
1	Operating voltage (Vop)	2.7~3.3V	
2	Operating current (Iop)	≤300mA	
3	Cw output power (Po)	<1 mW	1~5 mW
4	Wavelength at peak emission (λp)	532nm	
5	Spot size (φ)	6 ±1mm@3m	
6	Divergence angle	<2 mrad	
7	Operating temp. range	+20°C ~ +30°C (Room Temperature)	
8	Storage temp. range	-20°C ~ +65°C	
9	Housing	Brass	
10	Mean time to failure (MTTF) @ 25°C	3000 hrs	