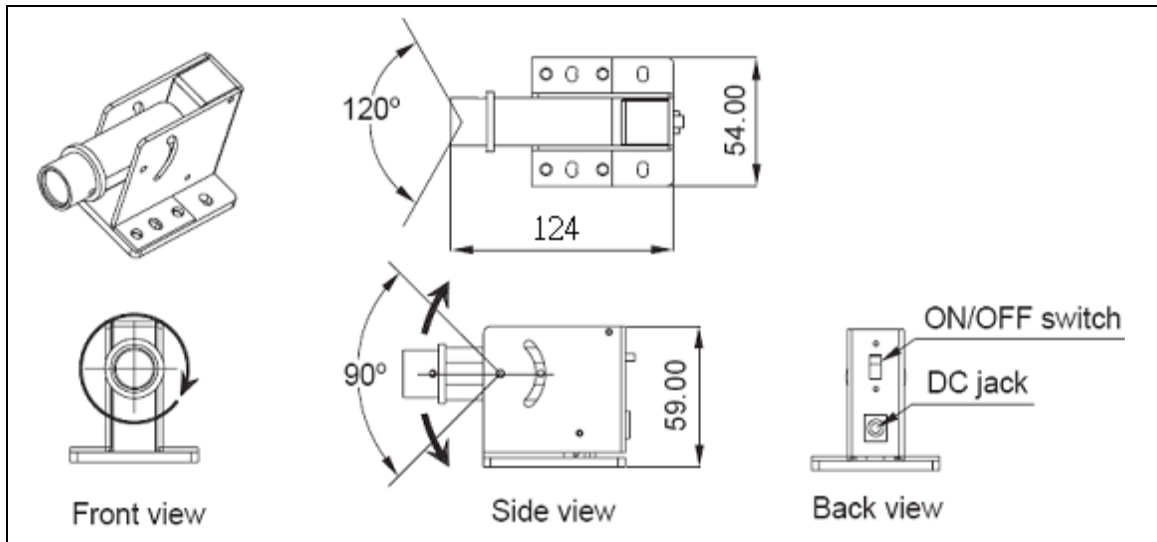


MODEL TYPE

VLM-532-ML100

Green line generator
Ideal for cutting works

OUTLINE DIMENSIONS (UNITS: mm)



1. Projects a visible green laser guideline up to 30 feet long-suitable for large work surfaces.
2. Ideal for all large-filed cutting works(textile, wood, stone and sheet metal, etc.)
3. Special aspheric glass lens enables a visible and bright laser line.
4. Metal housing for maximum ruggedness and shock resistant.
5. Compact and lightweight, designed especially for one-person setup and use.

SPECIFICATIONS:		VLM-532-ML100
1	Operating Voltage (Vop)	3.5 ~ 6V
2	Operating Current (Iop)	≤ 300 mA
3	Cw output power(Po)	≤ 1mW
4	Wavelength at peak emission (λp)	532 nm
5	Cylindric lens	Quzrtz Cylindric lens(ø2)
6	Collimating lens	Glass (ø6)
7	Laser line Width	2.5 ±0.5mm@5m , 5 ±0.5mm@10m
8	Laser line accuracy	20" (+/- 1mm @10m)
9	Emitting angle	> 120°
10	Temperature Range - Operating	+15°C ~ +35°C
11	Storage temp. range	-40°C ~ +70°C
12	Housing	Metal
13	Mean time to failure (MTTF) @ 25°C	3,000 Hours