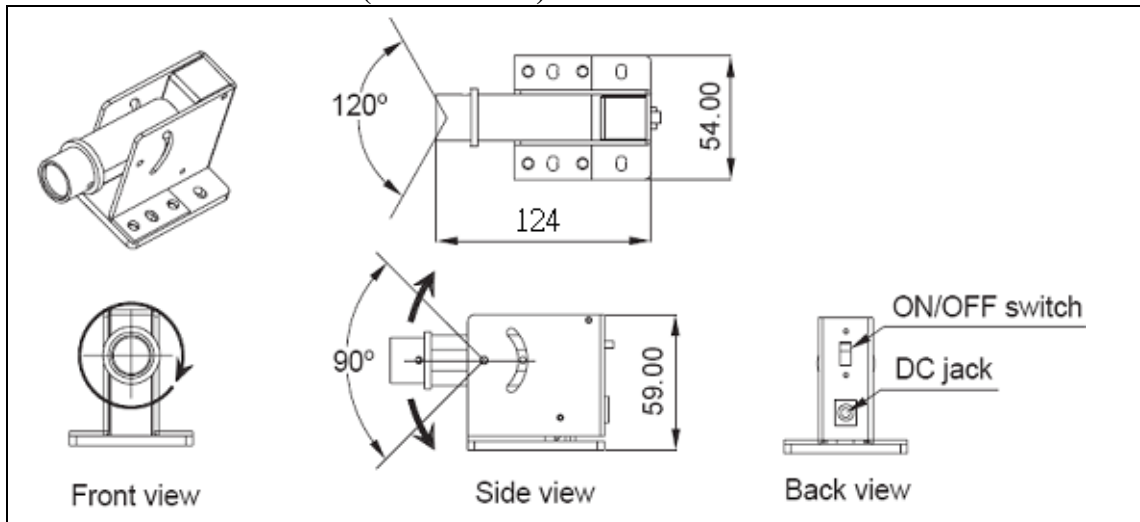


MODEL TYPE

VLM-635-ML100

RED LINE GENERATOR
Ideal for cutting works

OUTLINE DIMENSIONS (UNITS: mm)



1. Projects a visible green laser guideline up to 30 feet long-suitable for large work surfaces.
2. Ideal for all large-sized cutting works(textile, wood, stone and sheet metal, etc.)
3. Special aspheric glass lens enables a visible and bright laser line.
4. Metal housing for maximum ruggedness and shock resistant.
5. Compact and lightweight, designed especially for one-person setup and use.

SPECIFICATIONS:		VLM-635-ML100
1	Operating Voltage (Vop)	3.5 ~ 6V
2	Operating Current (Iop)	≤ 50 mA
3	Cw output power(Po)	≤ 1mW
4	Wavelength at peak emission (λp)	635 ~ 645 nm
5	Cylindric lens	Quartz Cylindric lens(ø3)
6	Collimating lens	Aspheric plastic (ø7)
7	Laser line Width	3 ±1mm @5m, 6 ±1mm @10m
8	Laser line accuracy	40" (+/- 1mm @5m)
9	Emitting angle	> 120°
10	Temperature Range - Operating	+10°C ~ +40°C
11	Storage temp. range	-20°C ~ +65°C
12	Housing	Metal
13	Mean time to failure (MTTF) @ 25°C	5,000 Hours